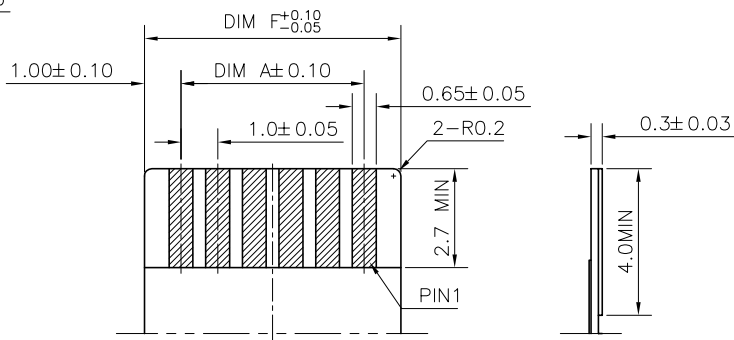


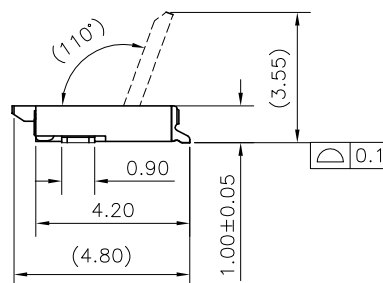
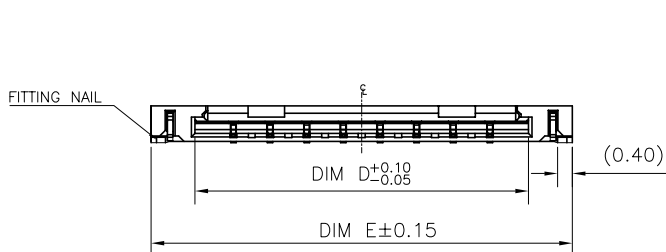
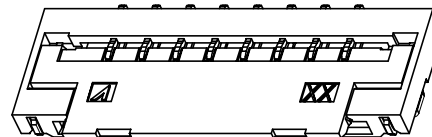
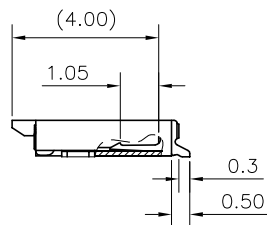
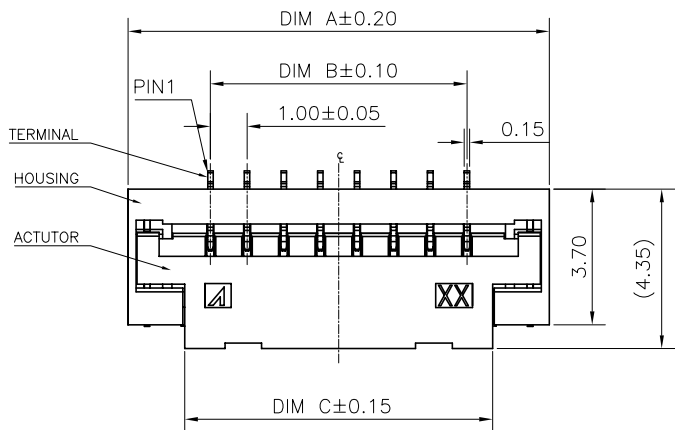
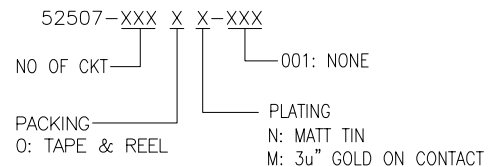
RECOMMENDED PCB LAYOUT  
GENERAL TOLERANCE ±0.05



RECOMMENDED FPC/FFC DIMENSIONS  
GENERAL TOLERANCE ±0.05

NOTES:

1. MATERIAL:
  - 1.1 HOUSING: THERMOPLASTIC, HIGH TEMP., UL94V-0; COLOR:NATURAL.
  - 1.2 ACTUATOR: THERMOPLASTIC, HIGH TEMP., UL94V-0; COLOR:BLACK.
  - 1.3 CONTACT: COPPER ALLOY
  - 1.4 FITTING NAIL: COPPER ALLOY
2. FINISH:
  - 2.1 CONTACT:
    - 50u" MIN. NICKEL UNDERPLATING OVERALL.
    - N: 80u" MIN. MATT TIN PLATING OVERALL.
    - M: 3u" GOLD ON CONTACT AND GOLD FLASH ON SOLDER
  - 2.2 FITTING NAIL:
    - 50u" MIN. NICKEL UNDERPLATING OVERALL.
    - 80u" MIN. MATT TIN PLATING (LEAD FREE).
3. REFLOW SOLDER CAPABLE TO 260°C PER ACES SPEC.
4. SPEC. PLS. REFER TO PS-52507-XXXXX-XXX
5. PACKAGE PLS REFER TO 52507-XXXXX-XX-TRP
6. PART NUMBER



CKT	DIM A	DIM B	DIM C	DIM D	DIM E	DIM F
008	11.50	7.00	8.40	9.10	11.50	9.00

QUALITY SYMBOLS MAJOR Ⓜ CRITICAL Ⓢ GENERAL TOLERANCES (UNLESS SPECIFIED) X. ±0.5 .X ±0.25 .XX ±0.15 .XXX ±0.1 ANGLES ±2°	DRAWN BY Wang, Kai Hung	DATE '22/07/11	
	CHECKED BY Liu, Yuan Huang	DATE '22/07/11	
	APPROVED BY Huang Kuo Hua	DATE '22/07/11	TITLE 1.0 MM PITCH EASY ON FPC CONN. SMT R/A B/C TYPE
	UNITS mm	SCALE 5:1	SIZE A4
	SHEET NO. 1 OF 1	REV B	PART NO. SEE NOTES